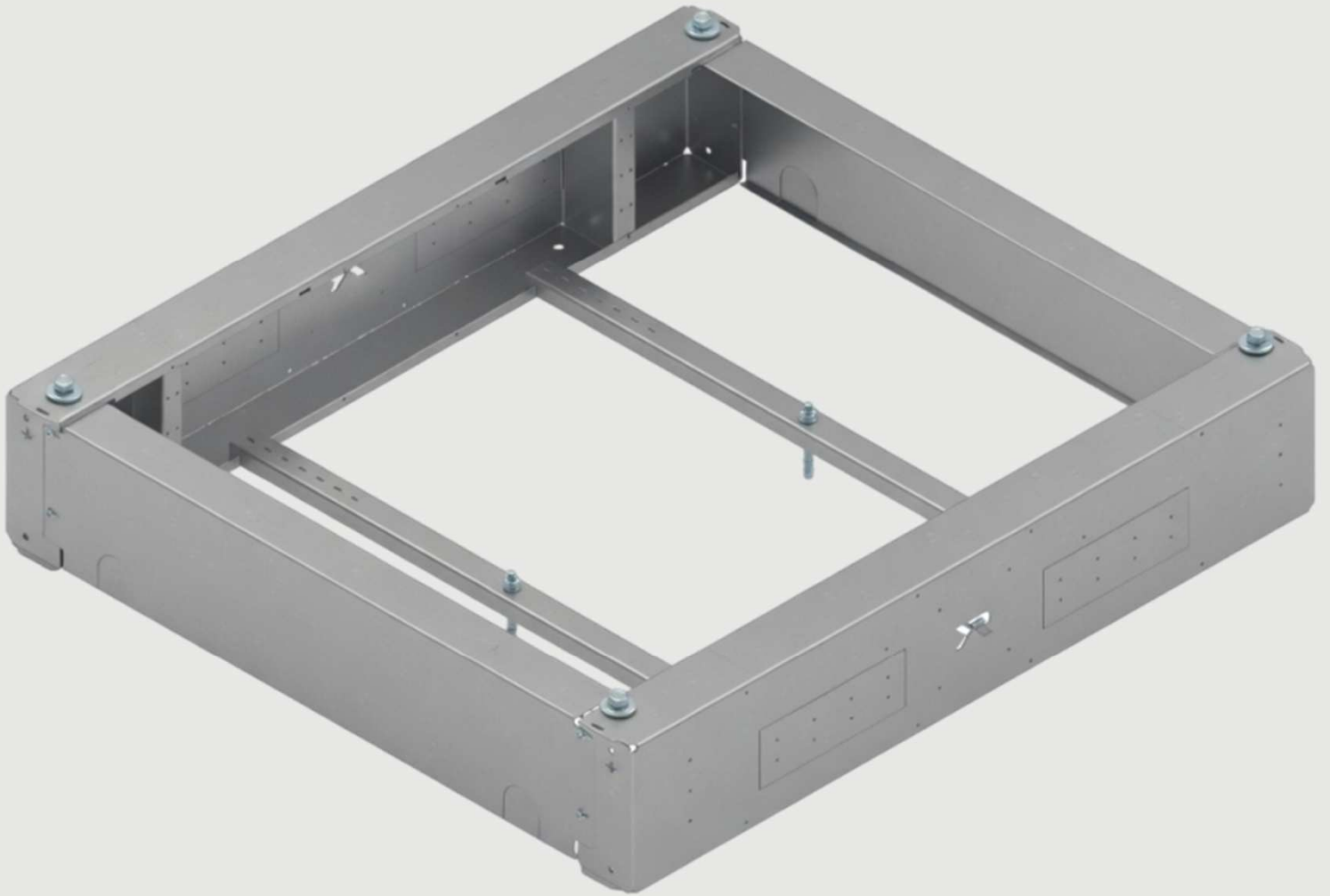




Substructure Solution

by Roef

Substructure Solax Trene



INSTALLATION
INSTRUCTIONS

Substructure Solax Trene

TOOLS

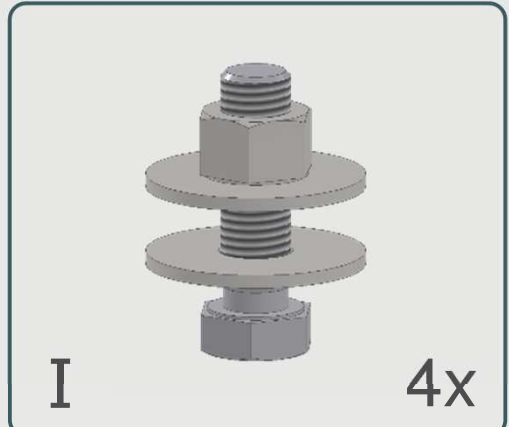
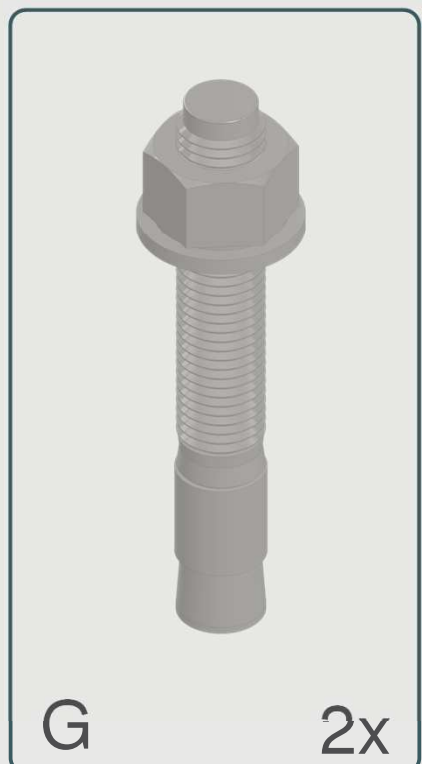
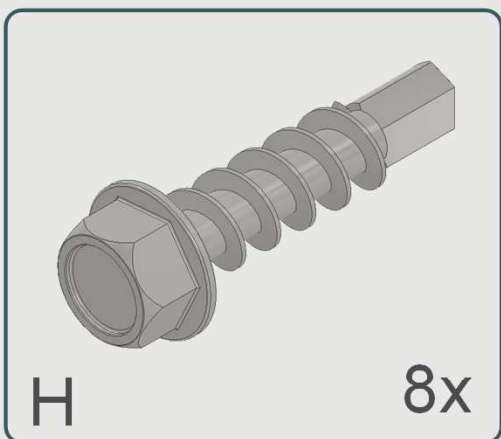
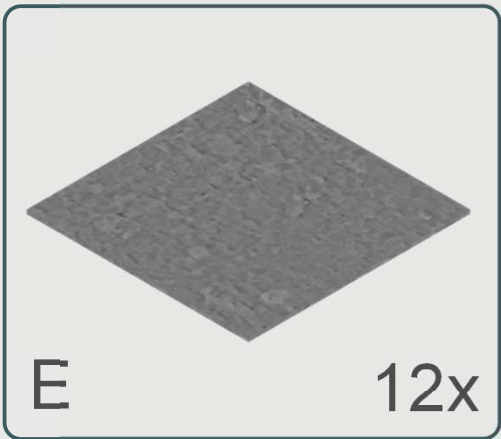
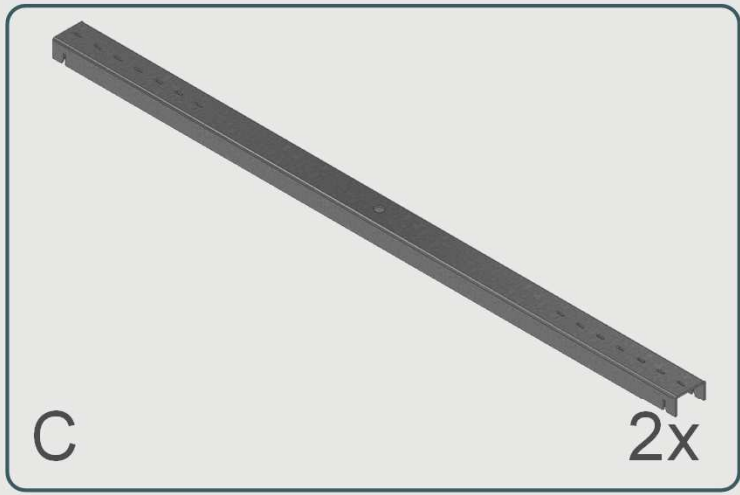
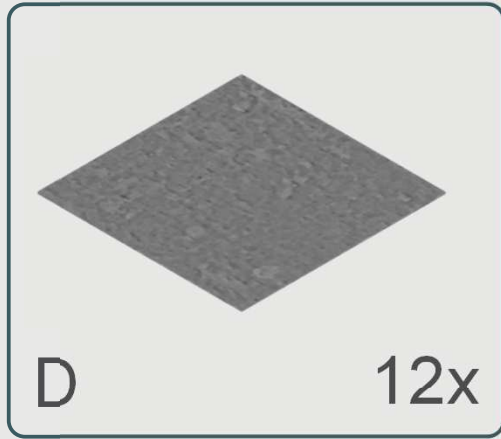
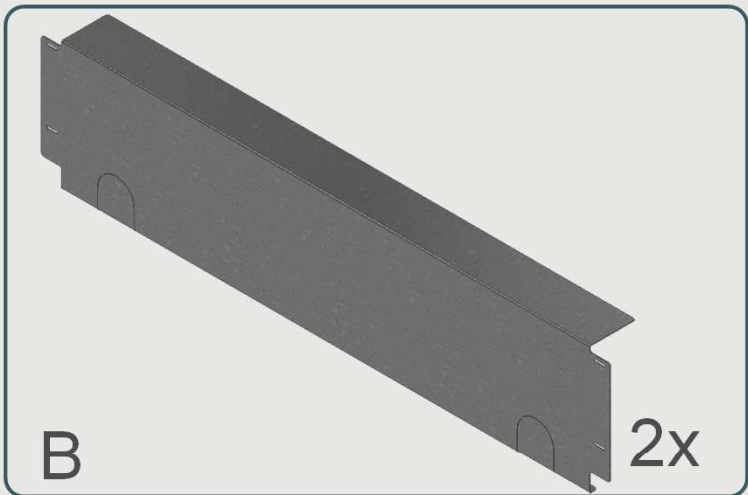
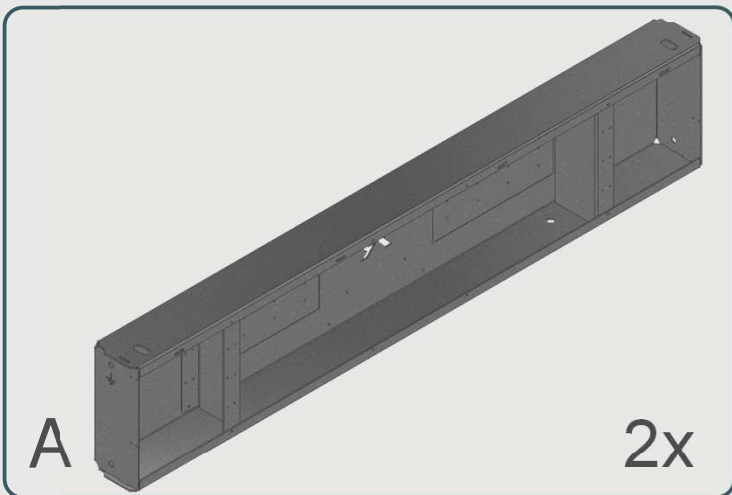


Installation requires one people!



Substructure Solax Trene

SUPPLIES

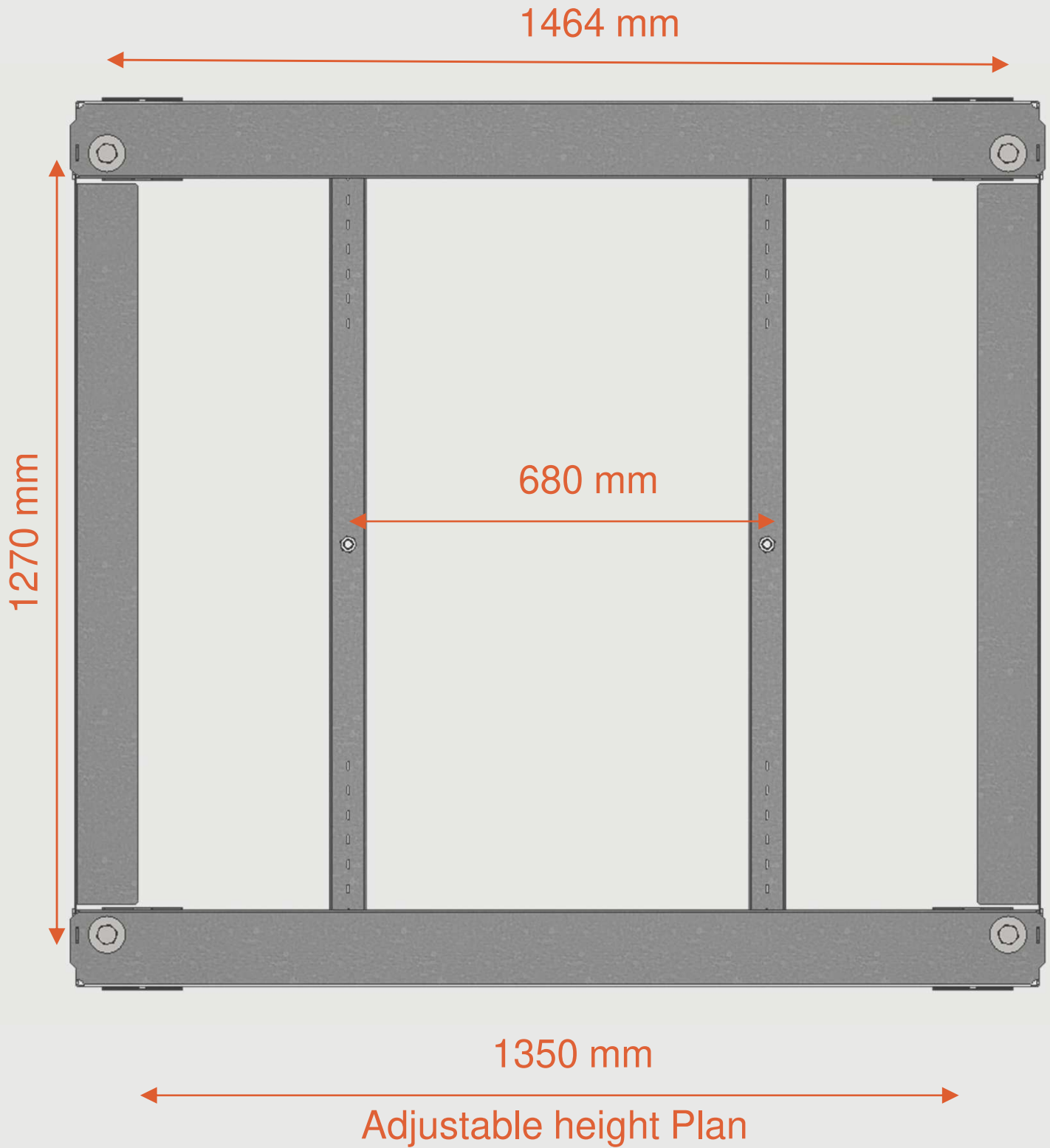


Substructure Solax Trene

Dimensions and position

1

The indicated dimensions are for reference only and illustrate the general positioning of the substructure, including the adjustable height installation option.



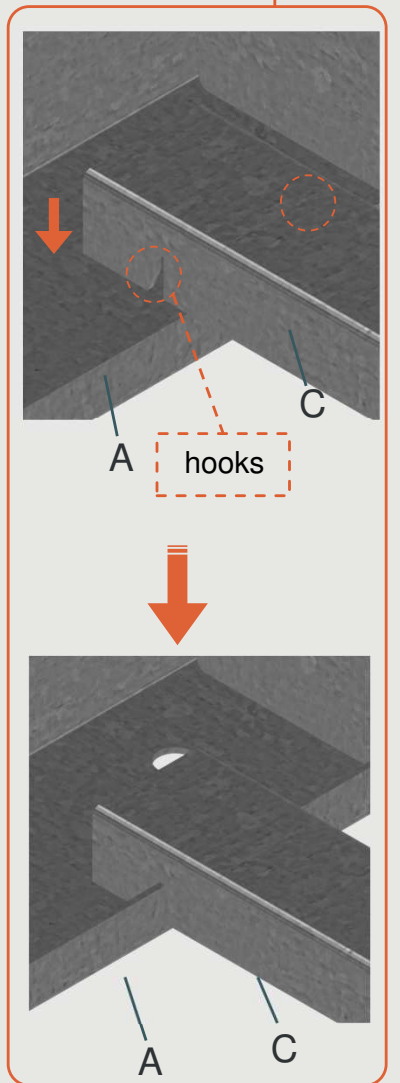
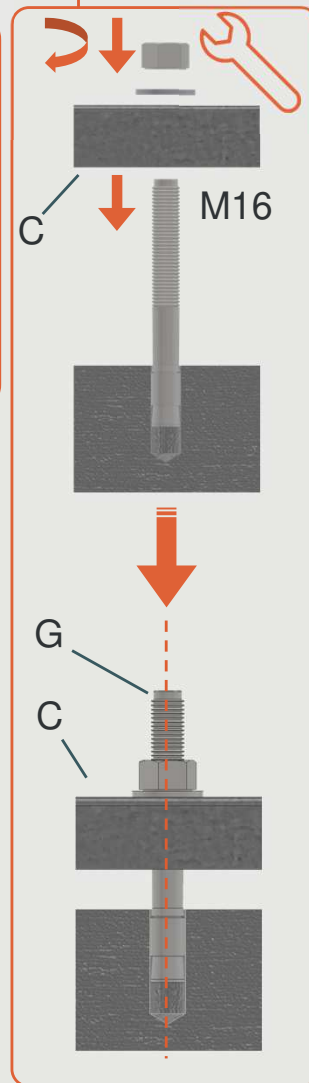
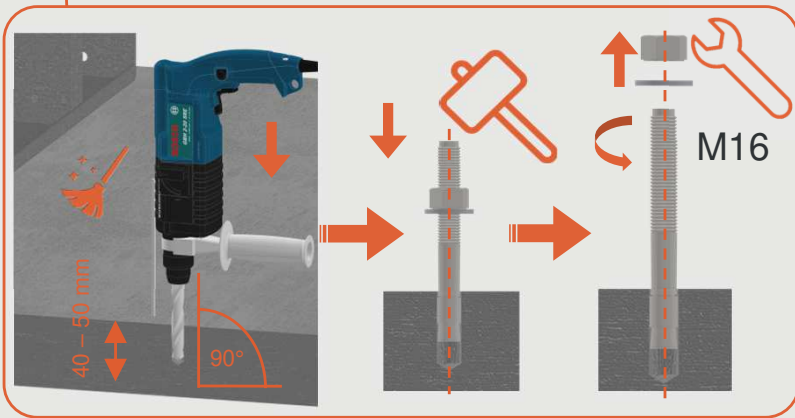
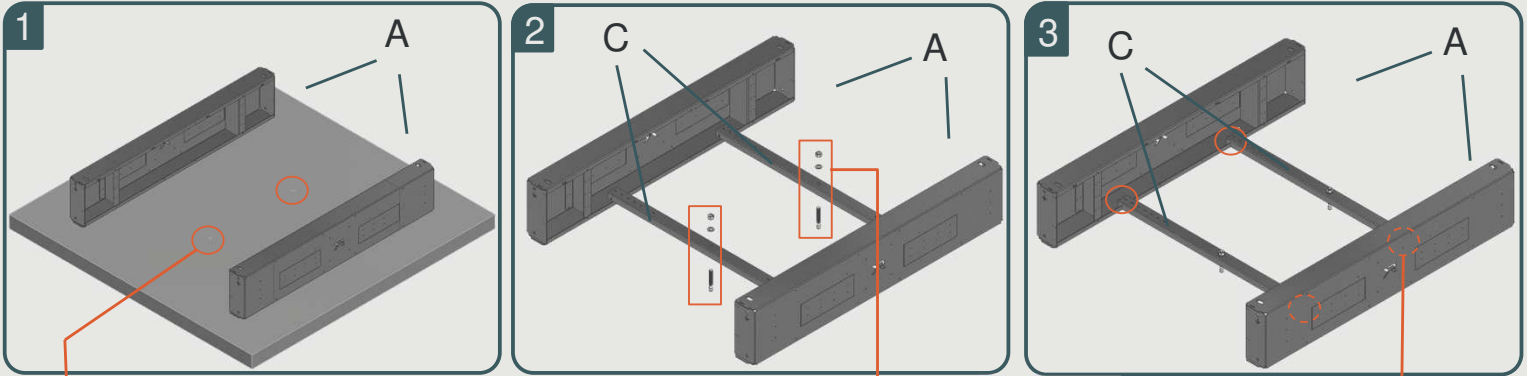
Substructure Solax Trene

Installing

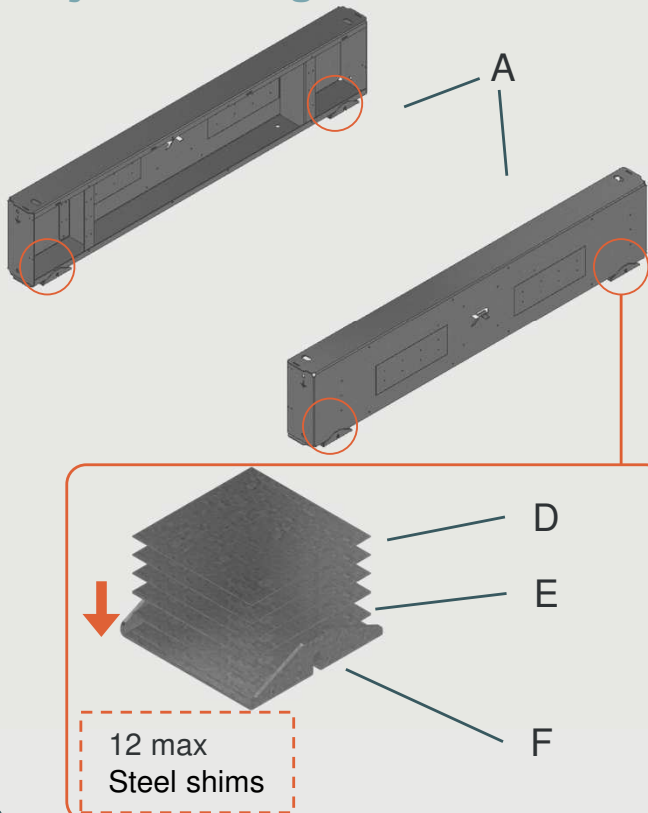
2

Install the base profiles according to the selected installation plan (fixed height or adjustable height). Drill the anchor holes ($\varnothing 16$ mm, minimum depth 40 mm) and clean thoroughly before inserting the M16 anchor bolts. Position and align the profiles, tighten the anchors to the specified torque. For the adjustable height configuration, use steel shims (max. 12 pcs) to achieve proper leveling before final fixation.

Fixed height Plan



Adjustable height Plan

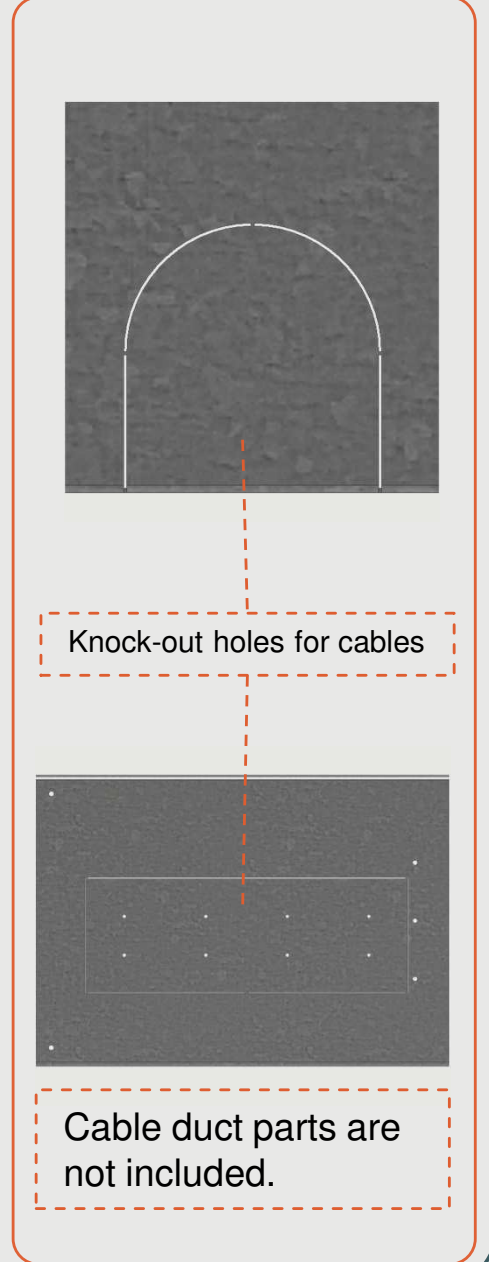
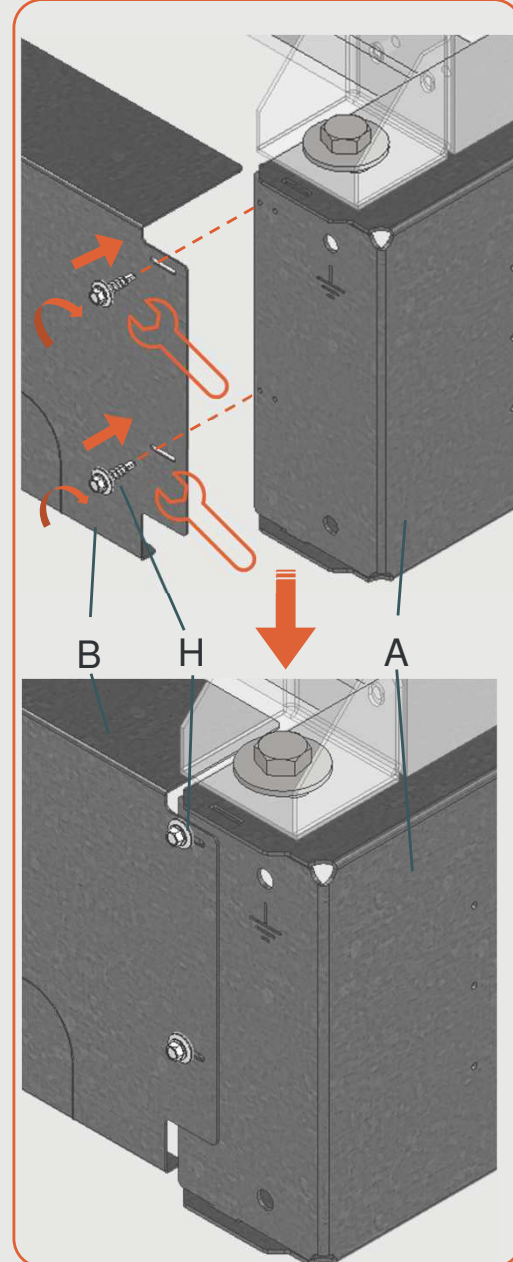
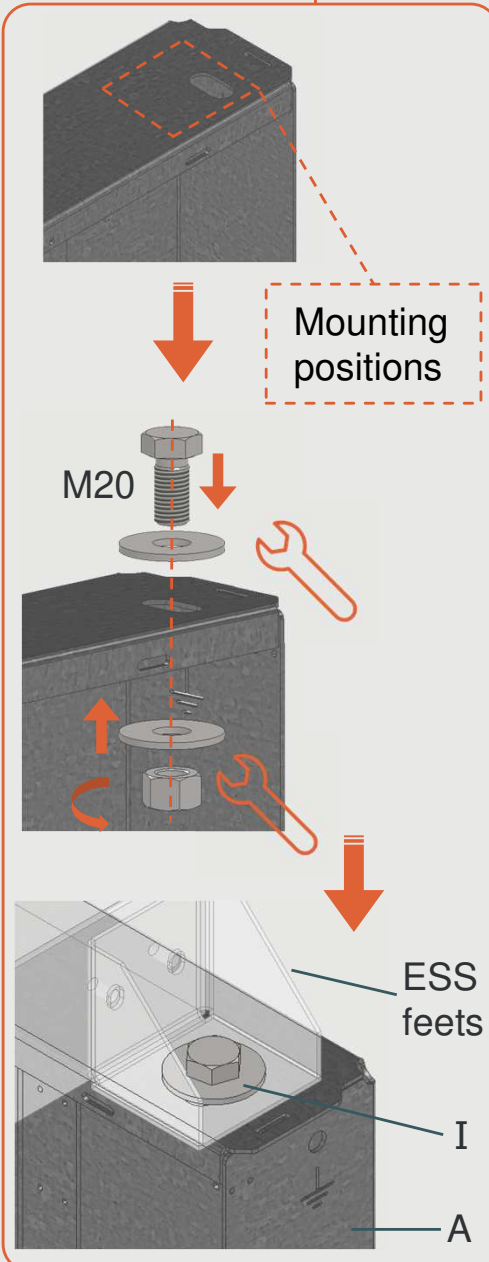
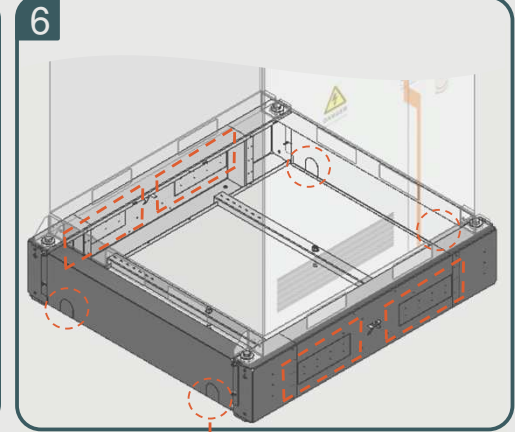
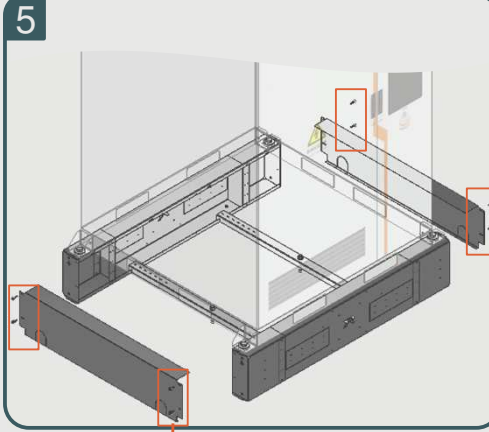
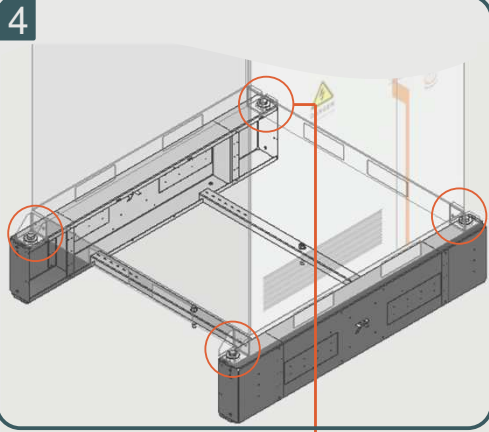


Substructure Solax Trene

Installing

3

Position the ESS units onto the installed substructure and align with the mounting points. Secure the units using the specified fastening points and tighten accordingly. The ESS feet support installation in predefined mounting positions on the substructure. Remove the designated knock-out holes for cable routing only if required. Cable duct parts are not included.





Roef B.V.

Pascalweg 18
4104 BG Culemborg

+31 (0) 342 781 234 | info@roefclix.com | www.Roefclix.com