



# Substructure Solution

by Roef

## Substructure Solax Nexus zero



INSTALLATION  
INSTRUCTIONS

# Substructure Solax Nexus zero

## TOOLS



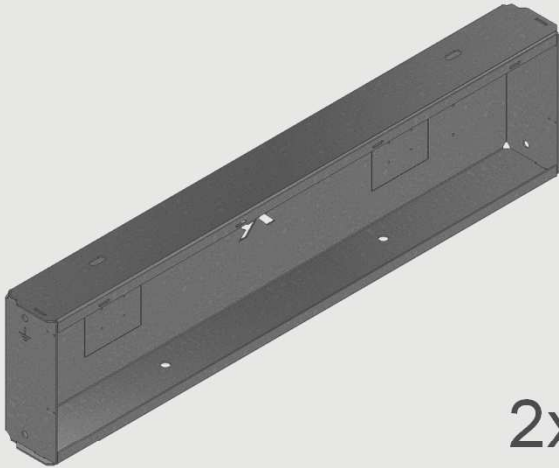
Installation requires one people!



# Substructure Solax Nexus zero

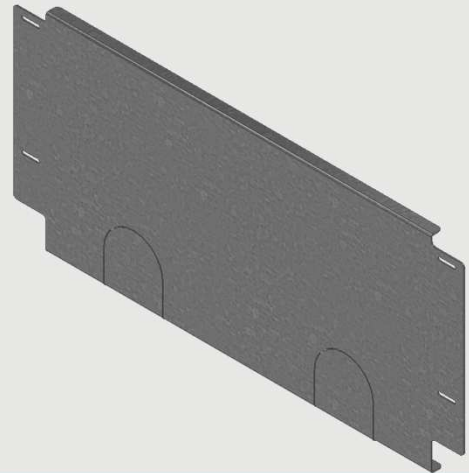
## SUPPLIES

A



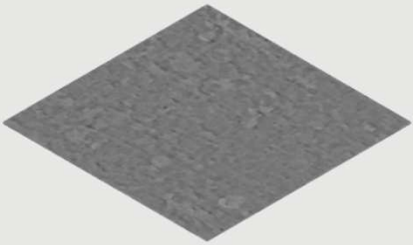
2x

B



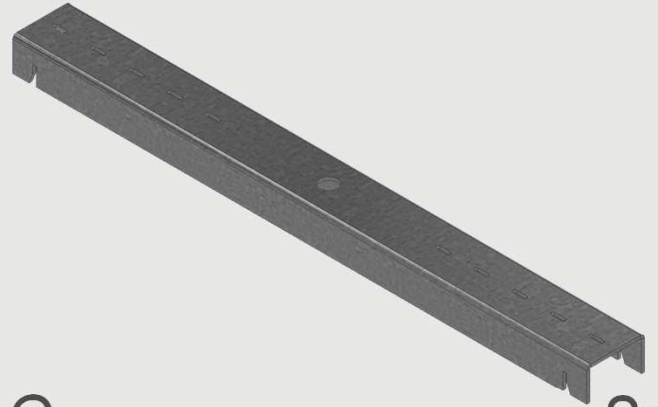
2x

D



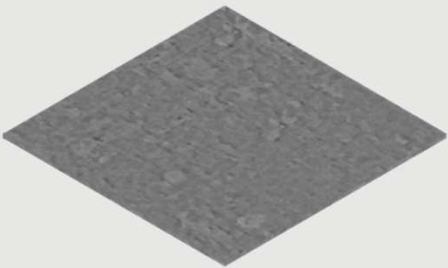
12x

C



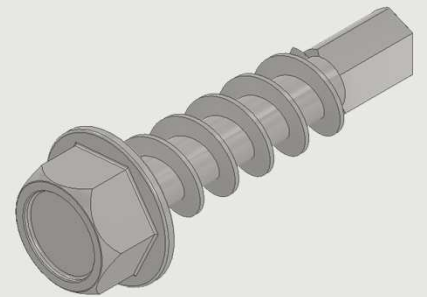
2x

E



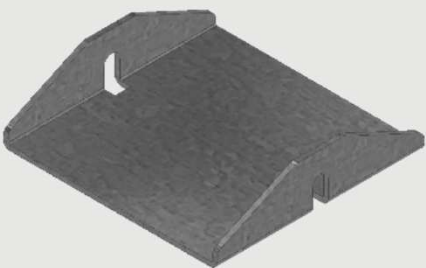
12x

H



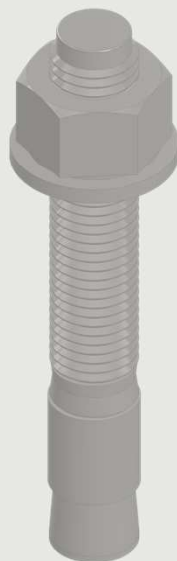
8x

F



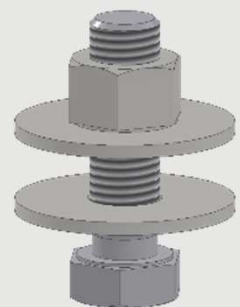
4x

G



2x

I



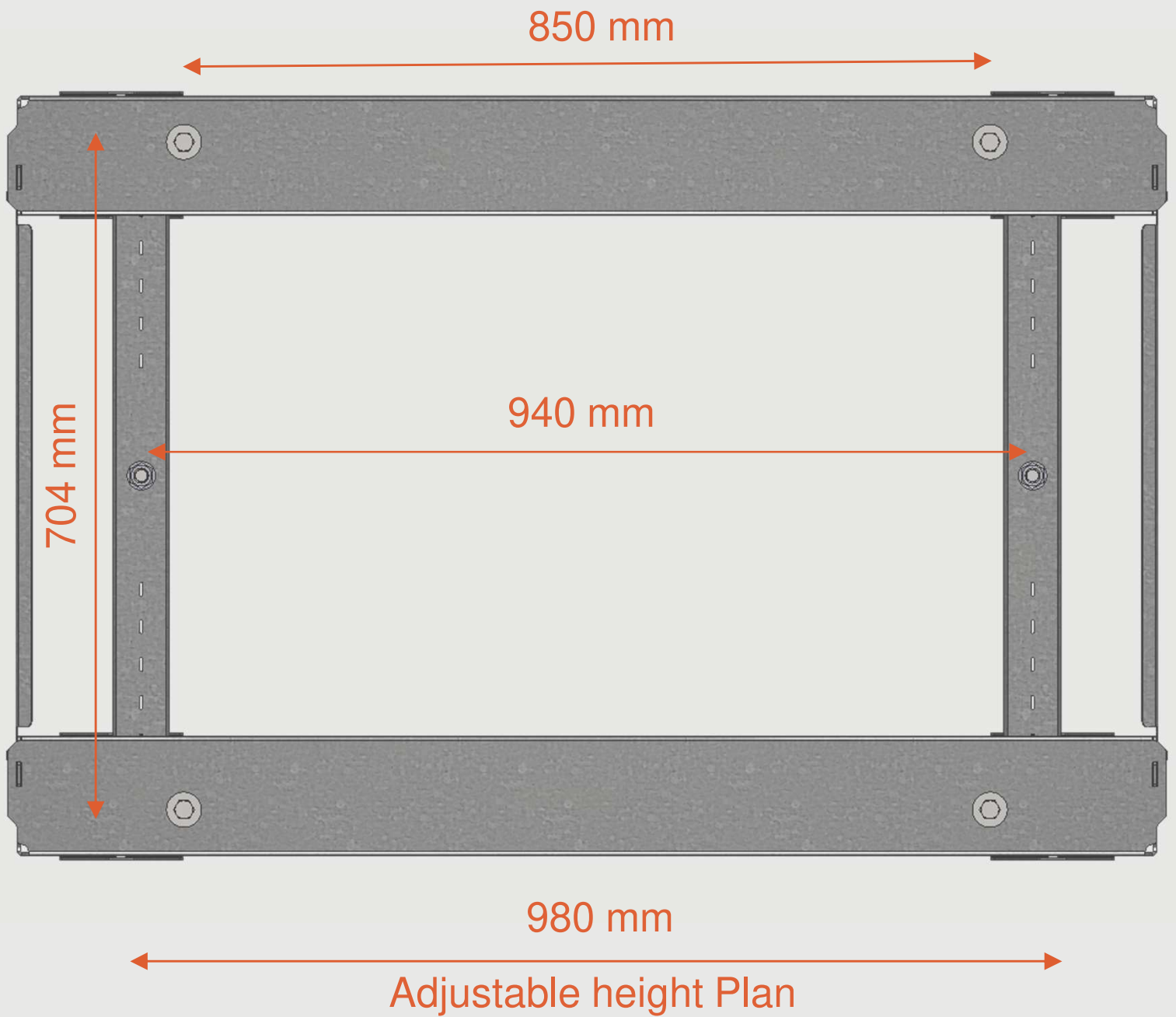
4x

## Substructure Solax Nexus zero

### Dimensions and position

1

The indicated dimensions are for reference only and illustrate the general positioning of the substructure, including the adjustable height installation option.



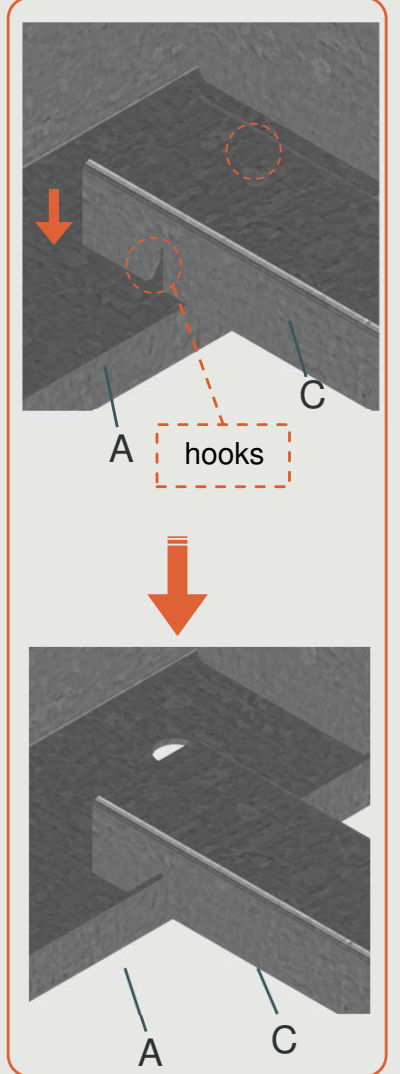
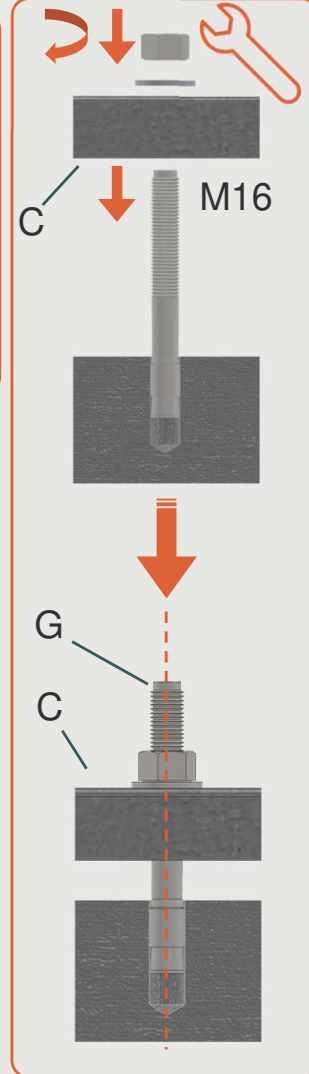
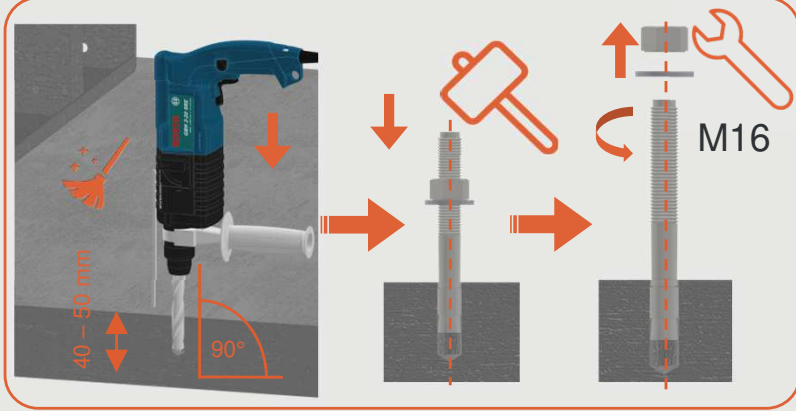
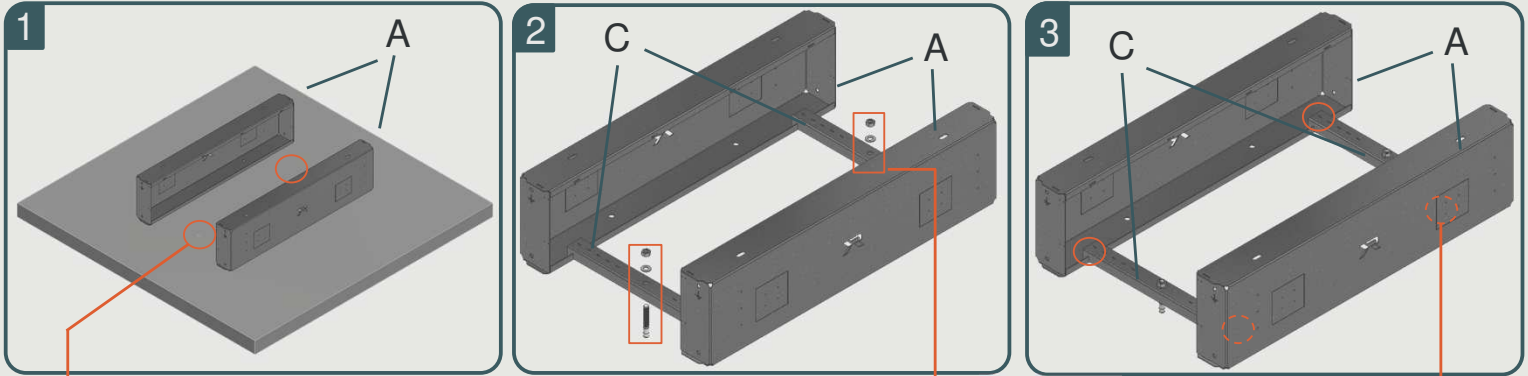
# Substructure Solax Nexus zero

## Installing

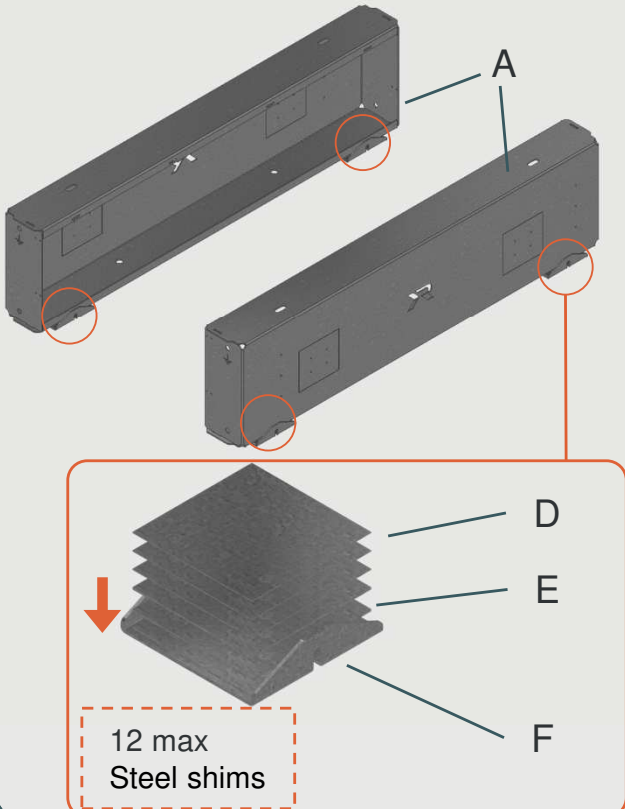
2

Install the base profiles according to the selected installation plan (fixed height or adjustable height). Drill the anchor holes ( $\varnothing 16$  mm, minimum depth 40 mm) and clean thoroughly before inserting the M16 anchor bolts. Position and align the profiles, tighten the anchors to the specified torque. For the adjustable height configuration, use steel shims (max. 12 pcs) to achieve proper leveling before final fixation.

### Fixed height Plan



### Adjustable height Plan



12 max  
Steel shims

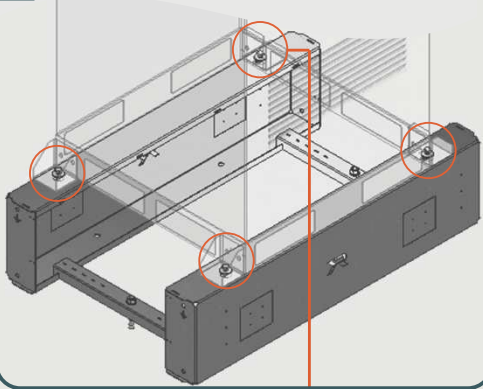
# Substructure Solax Nexus zero

## Installing

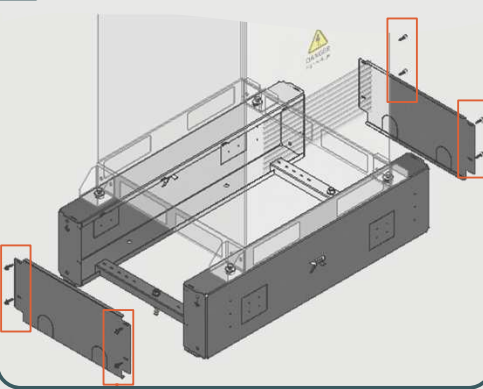
3

Position the ESS units onto the installed substructure and align with the mounting points. Secure the units using the specified fastening points and tighten accordingly. The ESS feet support installation in predefined mounting positions on the substructure. Remove the designated knock-out holes for cable routing only if required. Cable duct parts are not included.

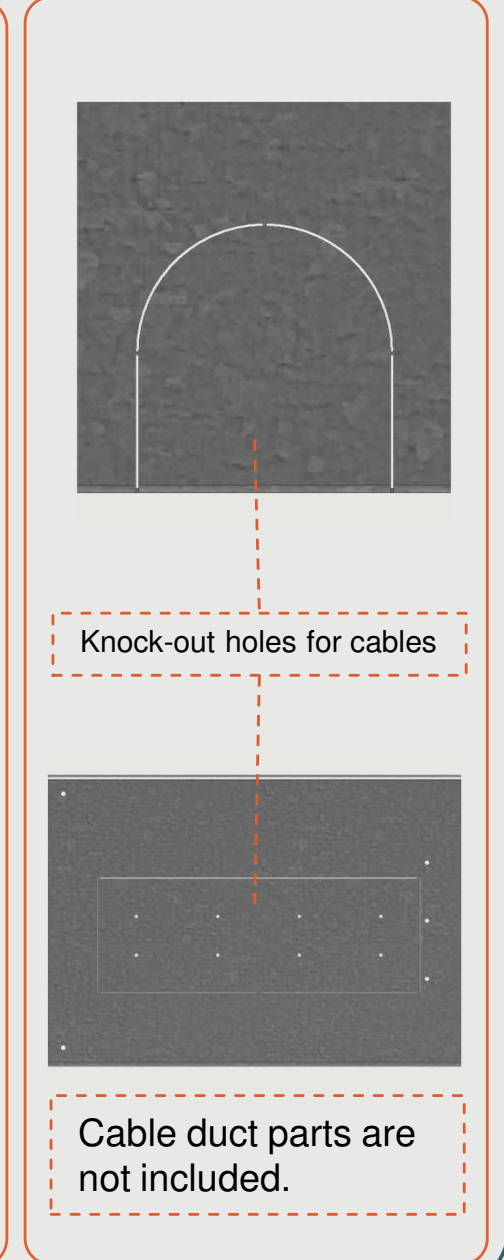
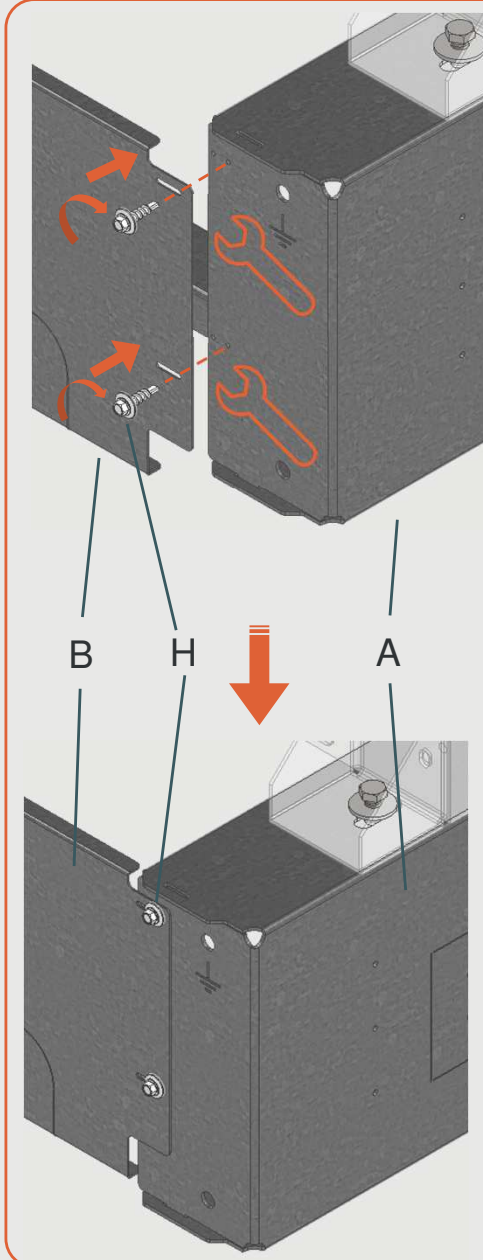
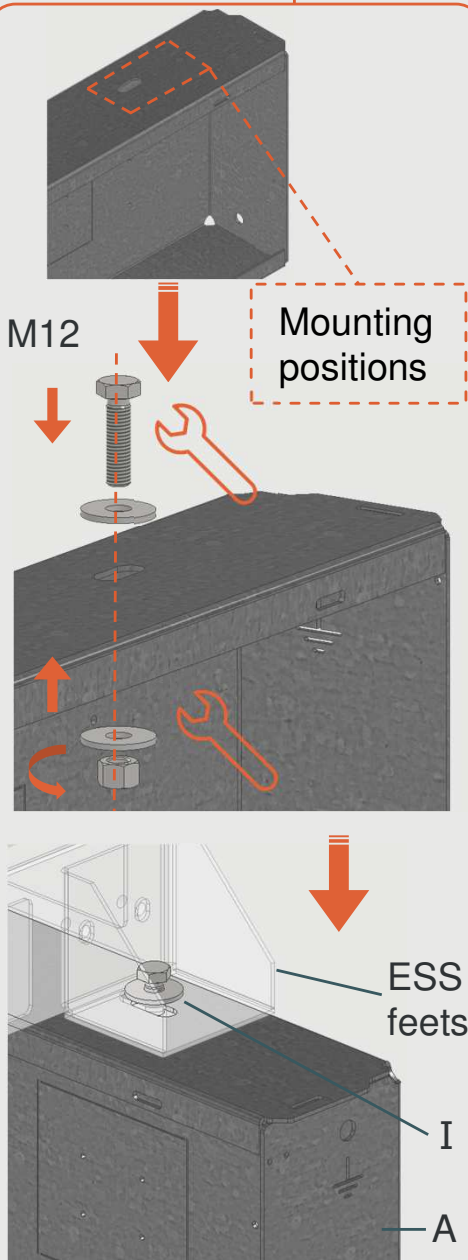
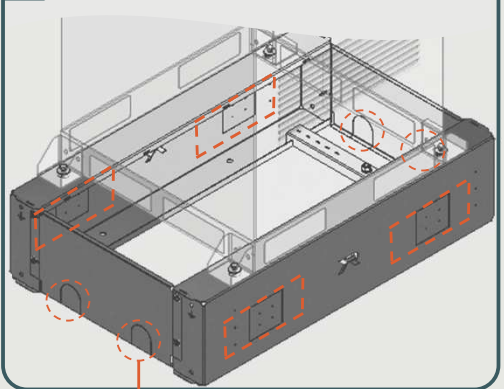
4



5



6





# Roef B.V.

Pascalweg 18  
4104 BG Culemborg

+31 (0) 342 781 234 | [info@roefclix.com](mailto:info@roefclix.com) | [www.Roefclix.com](http://www.Roefclix.com)