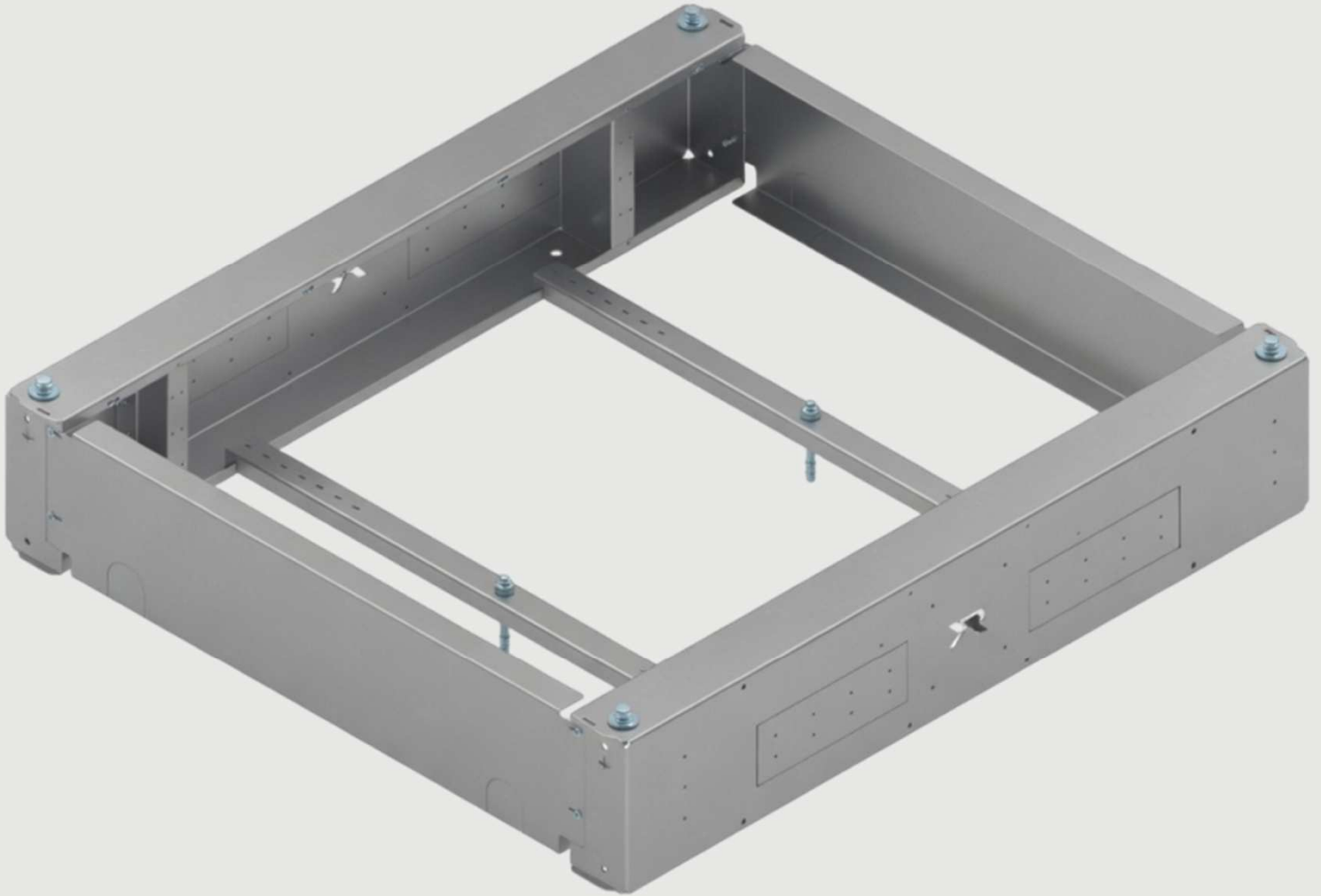




Substructure Solution

by Roef

Substructure MARS Aristotle



INSTALLATION
INSTRUCTIONS

Substructure MARS Aristotle

TOOLS

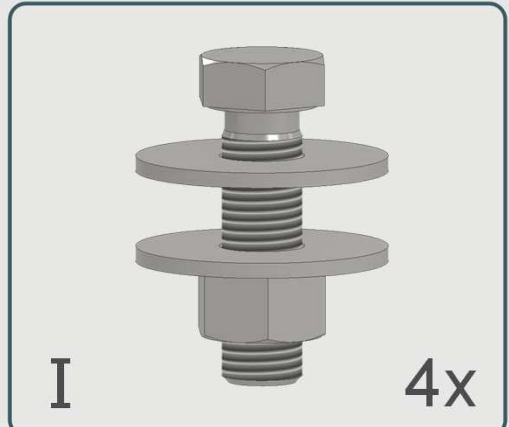
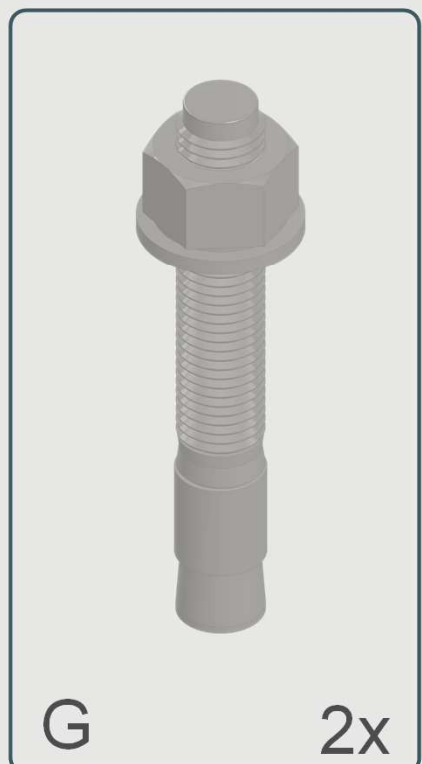
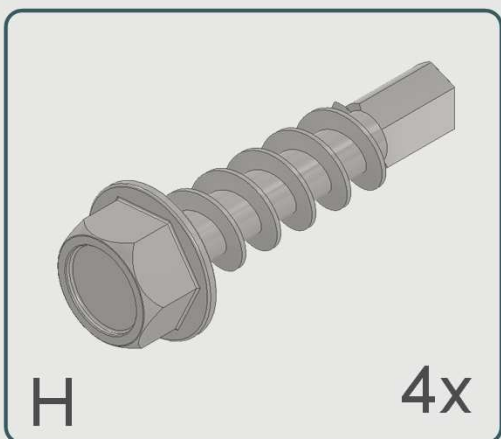
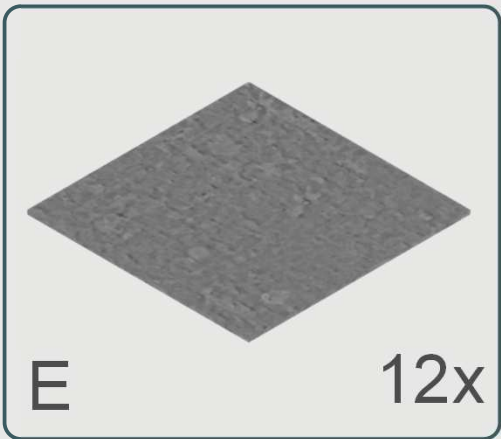
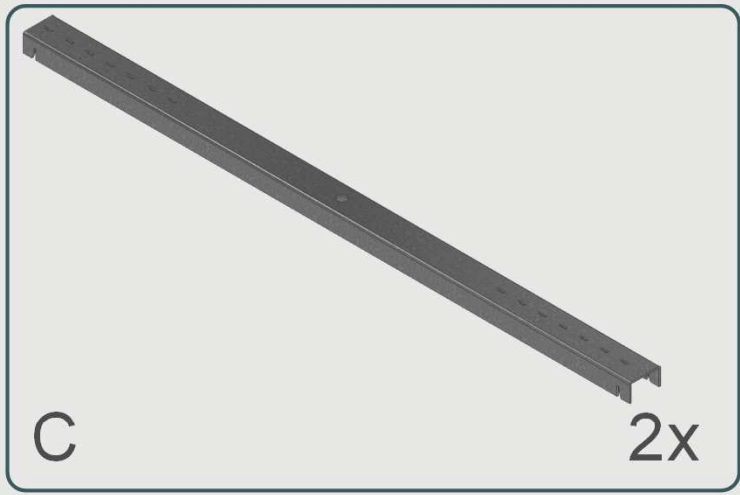
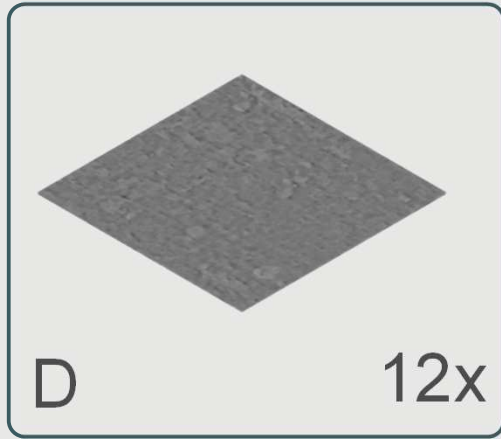
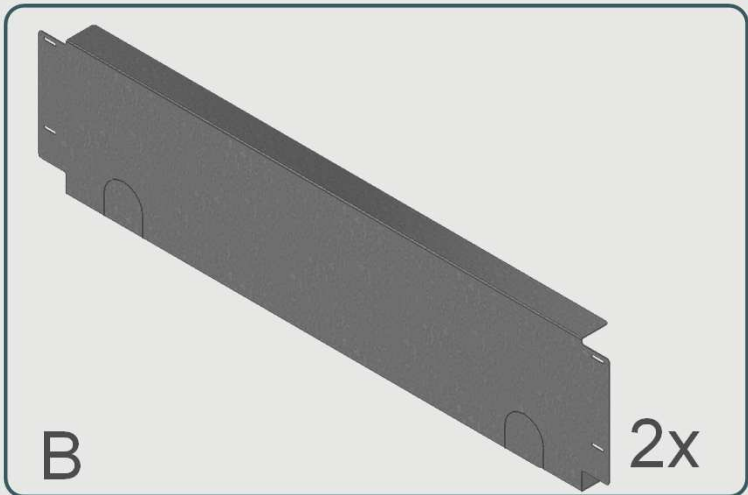
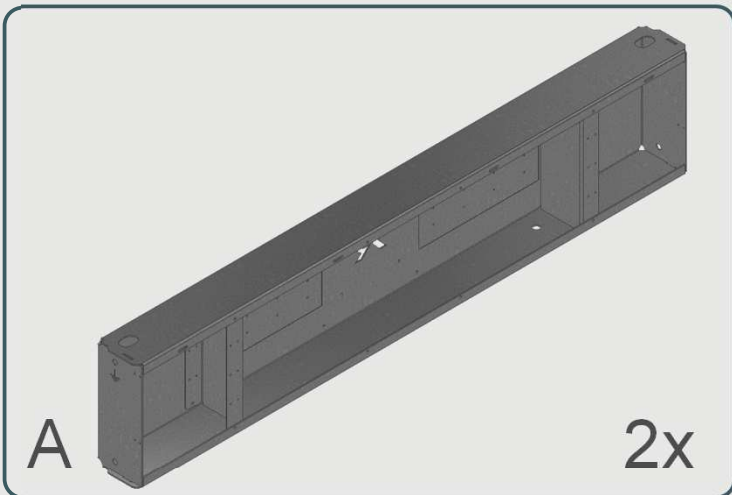


Installation requires one people!



Substructure MARS Aristotle

SUPPLIES

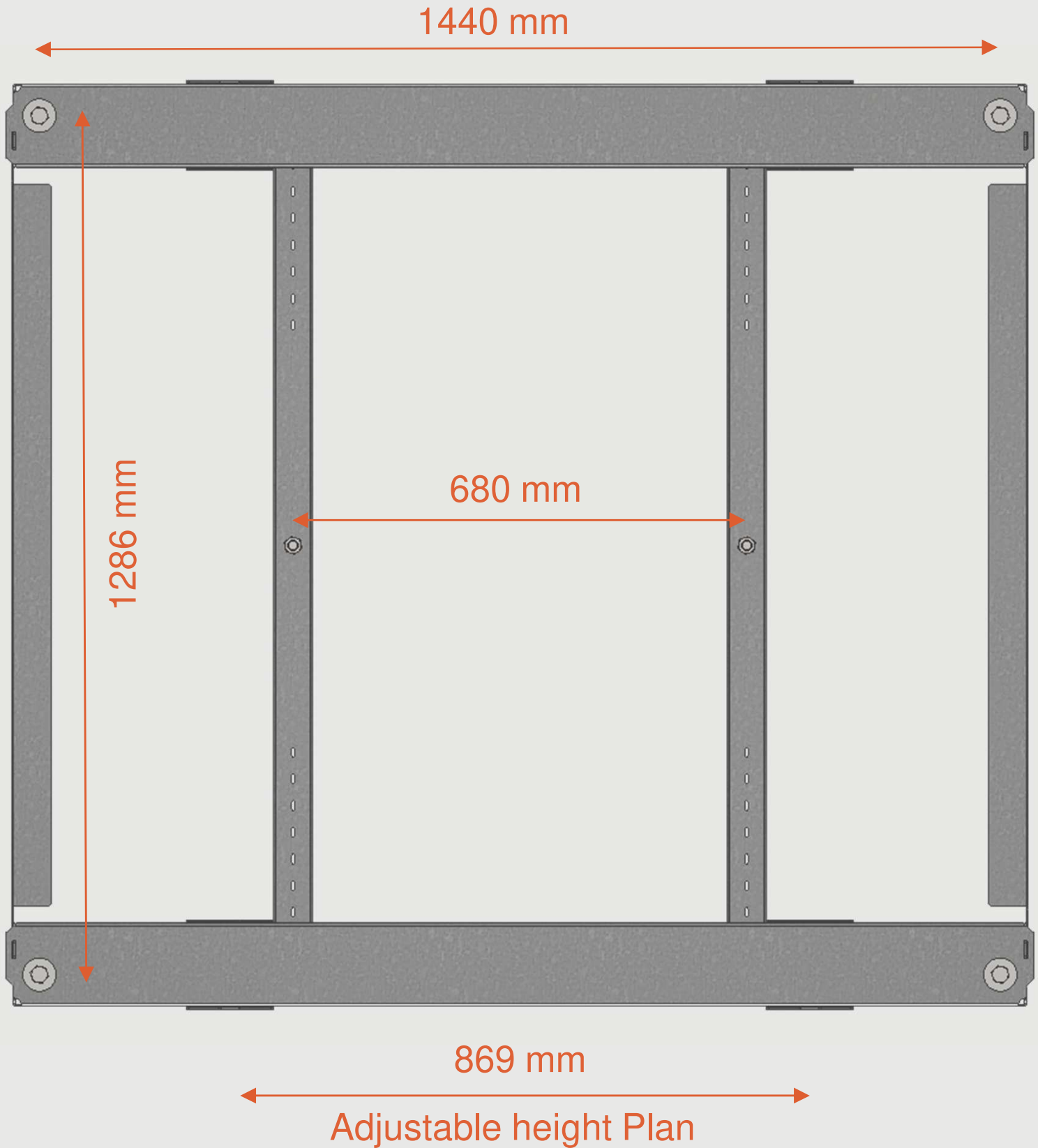


Substructure MARS Aristotle

Dimensions and position

1

The indicated dimensions are for reference only and illustrate the general positioning of the substructure, including the adjustable height installation option.

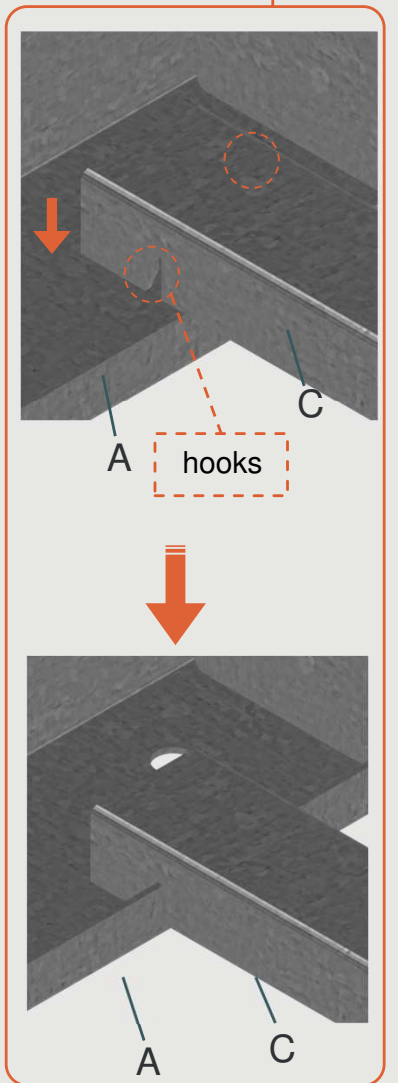
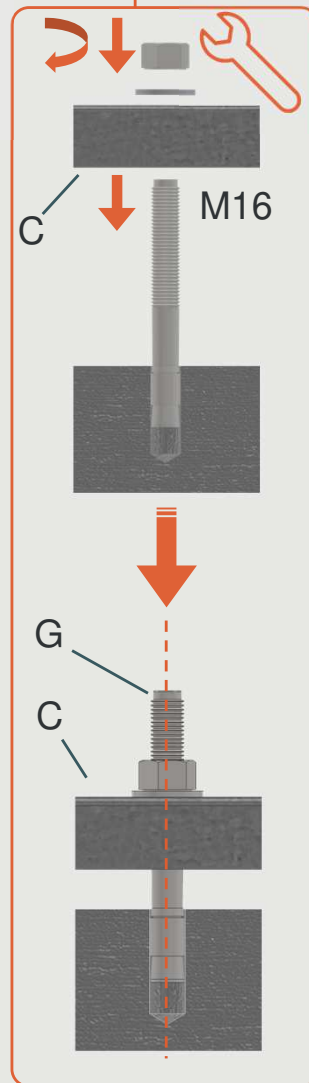
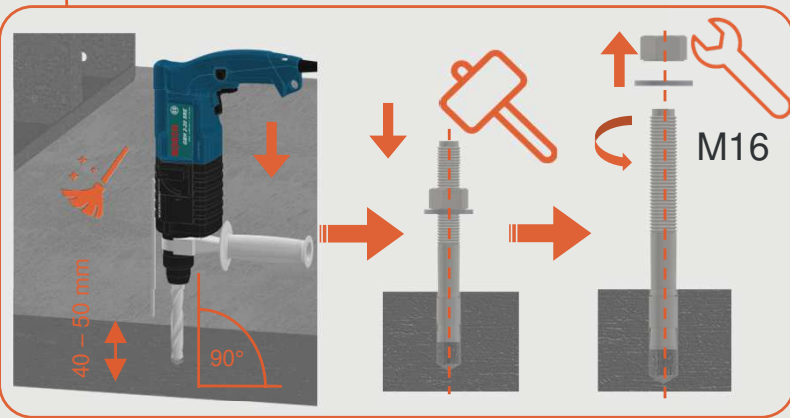
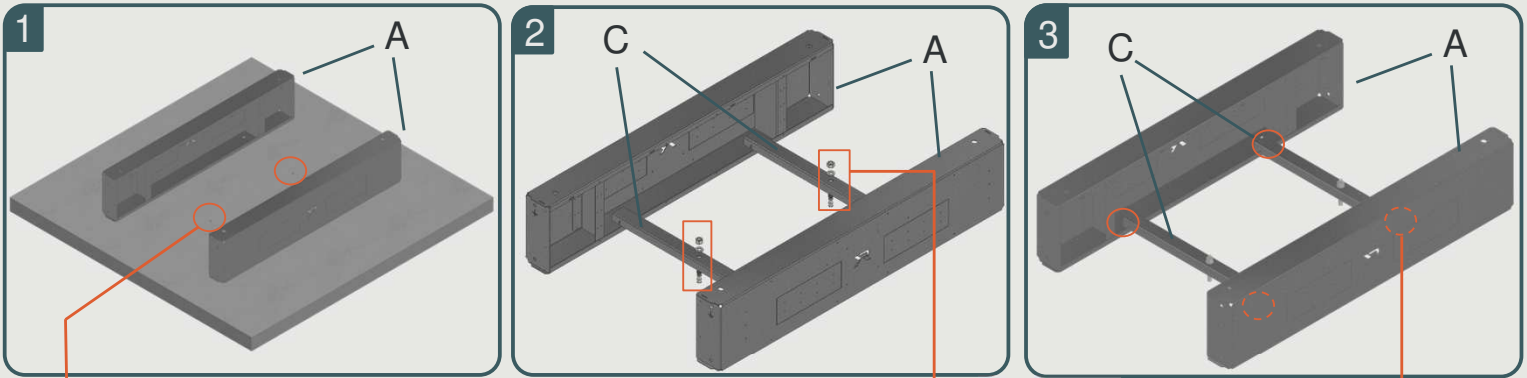


Substructure MARS Aristotle

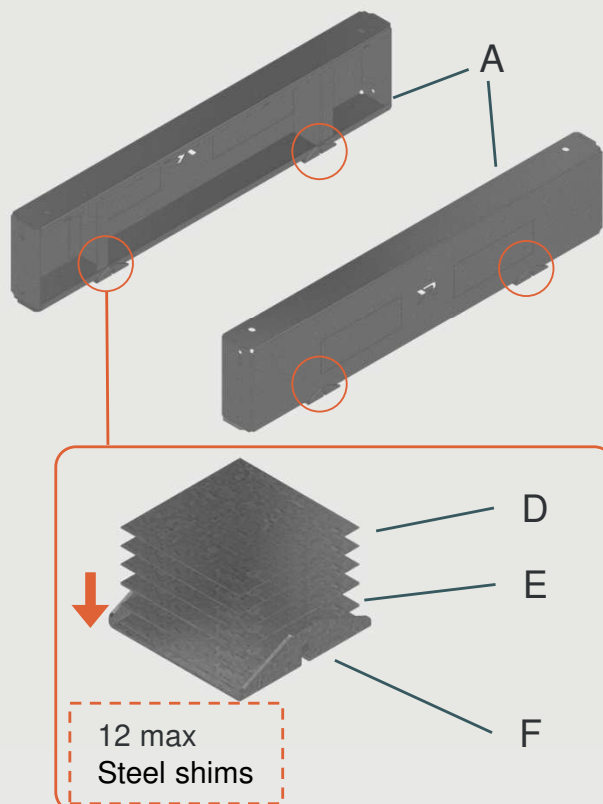
Installing

2 Install the base profiles according to the selected installation plan (fixed height or adjustable height). Drill the anchor holes (Ø16 mm, minimum depth 40 mm) and clean thoroughly before inserting the M16 anchor bolts. Position and align the profiles, tighten the anchors to the specified torque. For the adjustable height configuration, use steel shims (max. 12 pcs) to achieve proper leveling before final fixation.

Fixed height Plan



Adjustable height Plan



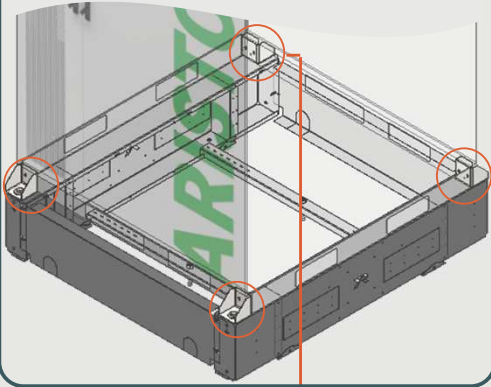
Substructure MARS Aristotle

Installing

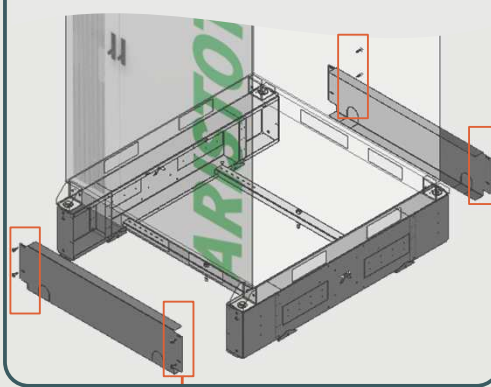
3

Position the ESS units onto the installed substructure and align with the mounting points. Secure the units using the specified fastening points and tighten accordingly. The ESS feet support installation in predefined mounting positions on the substructure. Remove the designated knock-out holes for cable routing only if required. Cable duct parts are not included.

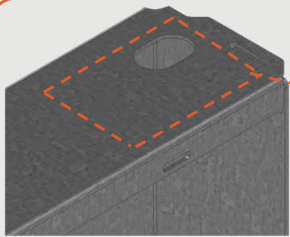
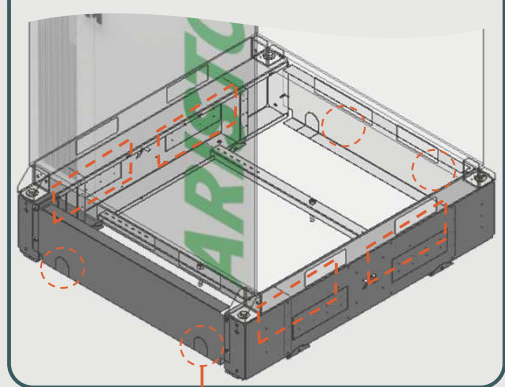
4



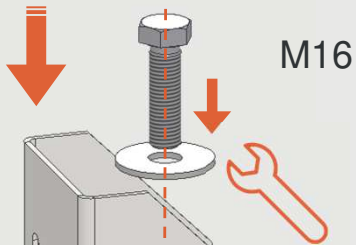
5



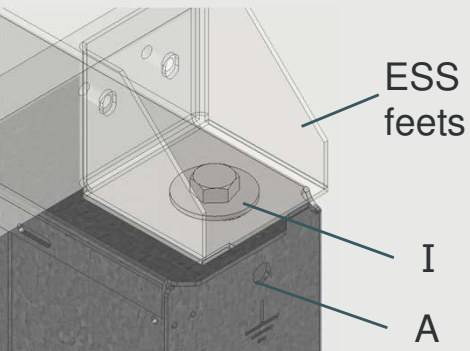
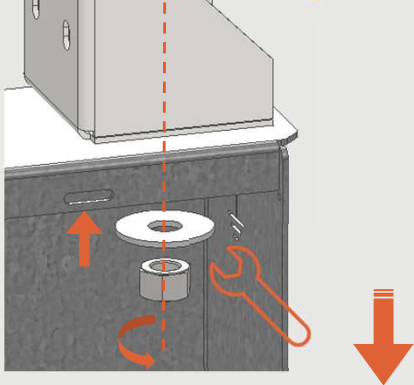
6



Mounting positions



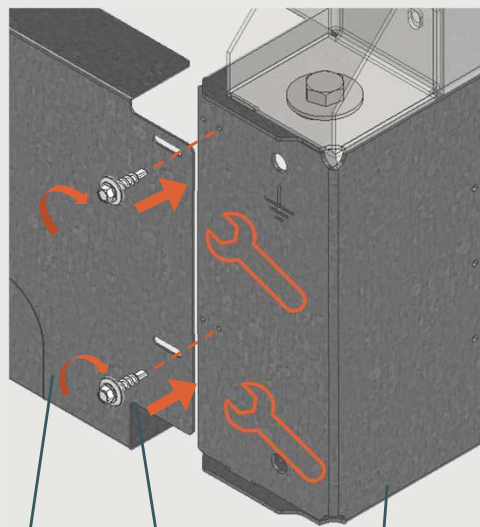
M16



ESS feet

I

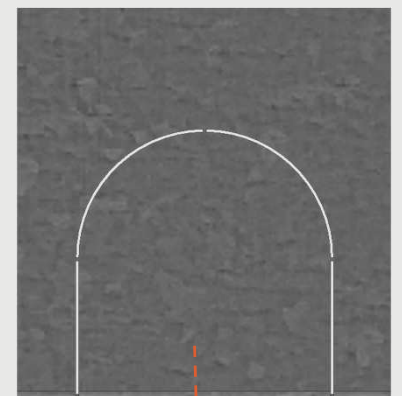
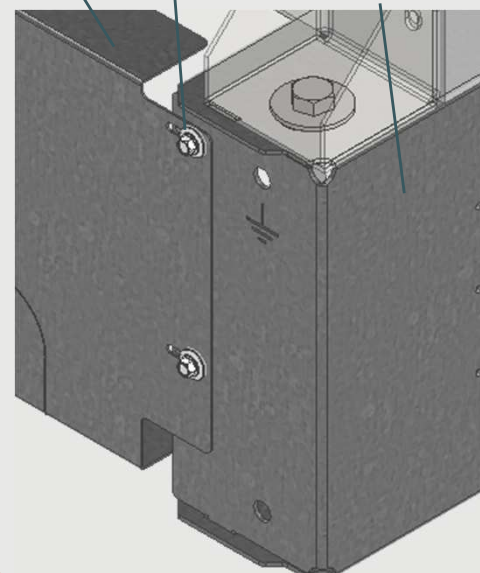
A



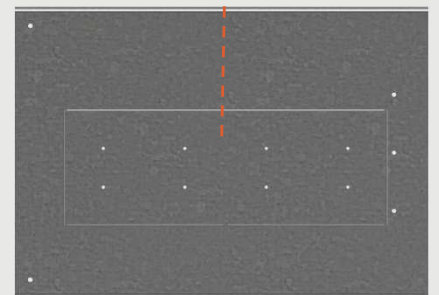
B

H

A



Knock-out holes for cables



Cable duct parts are not included.



Roef B.V.

Pascalweg 18
4104 BG Culemborg

+31 (0) 342 781 234 | info@roefclix.com | www.Roefclix.com